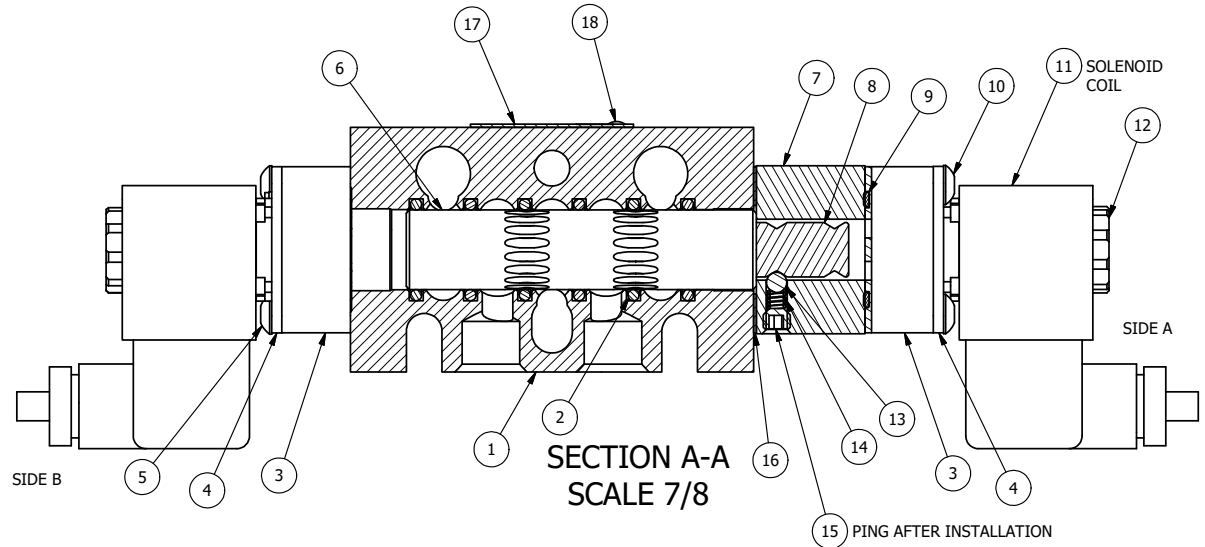


NOTES:  
 1) ALWAYS GIVE VALVE MODEL AND PART NUMBER WHEN ORDERING PARTS.  
 2) LUBRICATE DETENT BALL, SPRING AND STUD.



|     |     |         |   |
|-----|-----|---------|---|
| 19  | 3   | V-110   | O-RING, BUNA-N, 70 DURO, AS-114, (REF 5/8 X 13/16 X 3/32), 1/4" SLEEVE, 1/2" SUB, STACK |
| 18  | 2   | V-212   | SCREW, #2 X 3/16 DRIVE, TYPE U, OVAL HEAD, STAINLESS STEEL                              |
| 17  | 1   | AN-114  | NAMEPLATE, BLANK, FOR VALVES WITH SPRINGS OR DETENTS                                    |
| 16  | 1   | BG3     | GASKET - END CAP, 1/4" & 3/8" VALVE   |
| 15  | 1   | V-21    | SCREW, 1/4-20 X 3/16, SOCKET SET, CUP POINT   |
| 14  | 1   | DS3     | SPRING - DETENT, 1/4" & 3/8" VALVE  |
| 13  | 1   | V-14    | BALL, CHROME STEEL 3/16 DIA, GRADE 25, FOR DETENT                                       |
| 12  | 2   | V-556   | NUT, SOLENOID, TOP EXHAUST, KNURLED   |
| 11  | 2   | V-612-3 | ATEX COIL 24 VDC WITH 3 METER CORD. NASS # 1215 30.1-001/6896.                          |
| 10  | 4   | V-585   | SCREW, 10-24 X 2-1/8, SOCKET BUTTON HEAD  |
| 9   | 2   | EMG3    | GASKET - END MOUNT SOLENOID, BUNA-N, 1/4" & 3/8" VALVES                                 |
| 8   | 1   | PBS3-13 | STUD - POS. A & C. DETENT, SOLENOID OPERATOR, STAINLESS, 1/4" & 3/8" VALVE              |
| 7   | 1   | PEC3-18 | ENDCAP, SPACER, DETENT, SOLENOID, 6061-T6, 1/4" & 3/8" VALVES                           |
| 6   | 1   | S3R     | SPOOL - SOLID, STANDARD, 2 POS, CLSD CTR, 1/4" & 3/8" VALVE                             |
| 5   | 4   | V-584   | SCREW, 10-24 X 1, BUTTON HEAD SOCKET CAP WITH MICROSPHERE APPLIED TO THREADS.           |
| 4   | 2   | SEC3-7  | PLATE, RE-INFORCEMENT, SOLENOID, STAMPED, 304 STAINLESS                                 |
| 3   | 2   | V-550-1 | SOL OPER, END MOUNT, NON-LOCKING O'RIDE   |
| 2   | 6   | V-39    | O-RING, VITON, STD BODY, 1/4" & 3/8" VALVES   |
| 1   | 1   | B3-10E  | FINISHED - SOLID BODY, UPPER PILOTS, 3/8" STACKING VALVE                                |
| FLG | QTY | PART NO | DESCRIPTION   |

LIMITS ON DIMENSIONS  
 UNLESS OTHERWISE SPECIFIED  
 2-PL DECIMAL ± .01  
 3-PL DECIMAL ± .005  
 FRACTIONAL ± 1/64  
 ANGULAR ± 1/2°



DRAWN: RMckenna DATE: 5/23/2016 CHECKED: KWaite DATE: 5/23/2016  
 SCALE: 1 : 1 SHEET: 1 OF 1 RELEASED: HWomack DATE: 5/23/2016

TITLE: 3/8" STACK, DBL SOL, 2 POS, DETENT, SOL RTRN, ATEX, 24VC  
 PART NO.: EBSS3TQ 24VDC  
 REV.: A

| A | NO. | DATE | CHNGD EC3 GASKET TO BG3. | REVISION |
|---|-----|------|--------------------------|----------|
|   |     |      |                          |          |

THE INFORMATION CONTAINED WITHIN THIS DOCUMENT IS PROPRIETARY TO AAA PRODUCTS AND MAY NOT BE DISCLOSED WITHOUT PRIOR WRITTEN CONSENT